



INSTALLATION, OPERATION AND SERVICE MANUAL

THANK YOU for purchasing this high-quality product.

DRINKING WATER SYSTEM MODEL: M-550



**Tested and certified by NSF International against NSF/ANSI
Standard 58 for the reduction of the claims specified on the
Performance Data Sheet.**

This drinking water system contains replaceable treatment components critical for effective performance. It is the user's responsibility to, and the manufacturer strongly recommends that the user, periodically test the product water to verify that system is performing satisfactorily.

If MAYTAG™ replacement filters and modules are not used, health related contaminant reduction claims are invalid.

TABLE OF CONTENTS

DRINKING WATER SYSTEM SAFETY	3
INTRODUCTION	4
MECHANICAL FILTRATION/ACTIVATED CARBON	4
MEMBRANE.....	4
ACTIVATED CARBON	4
IN-LINE ACTIVATED CARBON POST FILTER.....	4
AUTOMATIC SHUT-OFF VALVE.....	4
SYSTEM SPECIFICATIONS	6
QUALIFIED SYSTEM PERFORMANCE.....	6
RECOMMENDED OPERATING LIMITS FOR FEED WATER.....	6
SYSTEM LAYOUT	7
MAJOR SYSTEM COMPONENTS	7
TOOLS RECOMMENDED FOR INSTALLATION.....	7
SITE SELECTION FOR MAJOR SYSTEM COMPONENTS	7
INSTALLATION INSTRUCTIONS	8
OPERATION AND MAINTENANCE	9
NORMAL OPERATION.....	9
CHANGING MODULES	10
IN-LINE ACTIVATED CARBON POST FILTER ASSEMBLY	10
CHANGING THE IN-LINE ACTIVATED CARBON POST FILTER.....	10
EXPLODED VIEW AND PARTS LIST	11
PARTS LIST	12
OTHER COMPONENTS.....	12
TROUBLESHOOTING GUIDE	13
WARRANTY	15

DRINKING WATER SYSTEM SAFETY

IMPORTANT: The Centers for Disease Control and Prevention (CDC) and the Environmental Protection Agency (EPA) have issued guidance to people with severely weakened immune systems who may want to take extra precautions to reduce the risk of infection with *Cryptosporidium* from drinking water. This guidance pertains to people with HIV/AIDS, patients receiving treatment for cancer, recipients of organ or bone marrow transplants, transplant patients taking immunosuppressive drugs, and persons who have congenital immunodeficiencies.

The EPA has stated that they do not know the significance of drinking water compared to other possible sources of *Cryptosporidium* to determine how most people become infected. The CDC-EPA guidance suggests that immunosuppressed individuals discuss their risks with their health care provider.

This drinking water system is tested and certified by NSF International to NSF/ANSI Standard 58 for cyst reduction. It meets NSF/ANSI standard of reducing at least 99.95%* of cysts (including *Cryptosporidium*), however, because this is not 100%, immunosuppressed individuals should take the extra precaution of boiling their drinking water. According to the CDC-EPA, bringing water to a rolling boil for one minute is the most certain approach for killing *Cryptosporidium*.

All individuals should take adequate precautions when changing the filter cartridges, including protective gloves, to avoid direct contact with the exhausted cartridges.

* For complete specifications, refer to the Performance Data Sheet.

NOTE: This drinking water system contains replaceable treatment components critical for effective performance. It is the user's responsibility to, and the manufacturer strongly recommends that the user, periodically test the product water to verify the system is performing satisfactorily. See the test kit(s) for sampling instructions.

NOTE: This system is acceptable for treatment of influent concentrations of no more than 27 mg/L nitrate and 3 mg/L nitrite in combination measured as N and is certified for nitrate/nitrite reduction only for water supplies with a pressure of 40 PSIG (280 KPa) or greater.

NOTE: This system conforms to NSF/ANSI Standard 58 for pentavalent arsenic reduction. See the Performance Data Sheet and Arsenic Facts section for an explanation of reduction performance.

Do not use with water that is microbiologically unsafe or of unknown quality without adequate disinfection before or after the system. Systems certified for cyst reduction may be used on disinfected waters that may contain filterable cysts.

INTRODUCTION

The Drinking Water System M-550, uses combination of filtration technologies to reduce unwanted contaminations in water supply. Refer to these below properties of the water system which provide the best and sparkling drinking water:

MECHANICAL FILTRATION/ACTIVATED CARBON

The Sediment/Carbon module is designed to reduce the larger particles such as silt, rust and scale. Its 5 micron [equal to 0.0002" (0.0005 cm)] nominal rating helps to give maximum life to the Membrane. The activated carbon in the module is designed to reduce any chlorine that can be present in the Feed Water. This pre-treatment is also necessary for the protection of membrane.

MEMBRANE

The Membrane is the heart of the filtration system. It is designed to reduce the dissolved mineral content of the water. Minerals picked up in the environment by the water are measured as Total Dissolved Solids (TDS). In this process, dissolved minerals are separated from the incoming water (Feed Water) to produce the Product water (Permeate). The excess minerals are rinsed to drain pipe (Reject Water).

The membrane is specially constructed, a fully aromatic polyamide film and classified as Thin Film Composite (T.F.C). The spiral wound structure of the Membrane provides maximum surface area for water production and is less susceptible to fouling by particulate matter, turbidity and colloidal materials.

ACTIVATED CARBON

The Activated Carbon module contains carbon particles with a vast network of pores. The tremendous surface area of these pores (typically 800-1200 g/m² of carbon) gives the carbon very good adsorptive sites for substances that contribute to tastes and odors.

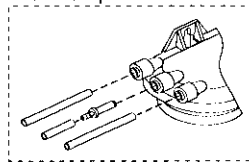
IN-LINE ACTIVATED CARBON POST FILTER

The In-Line Activated Carbon Post Filter is located after the Holding Tank and designed to reduce the tastes and odors that can pass through the system. It adds a final polish to the water.

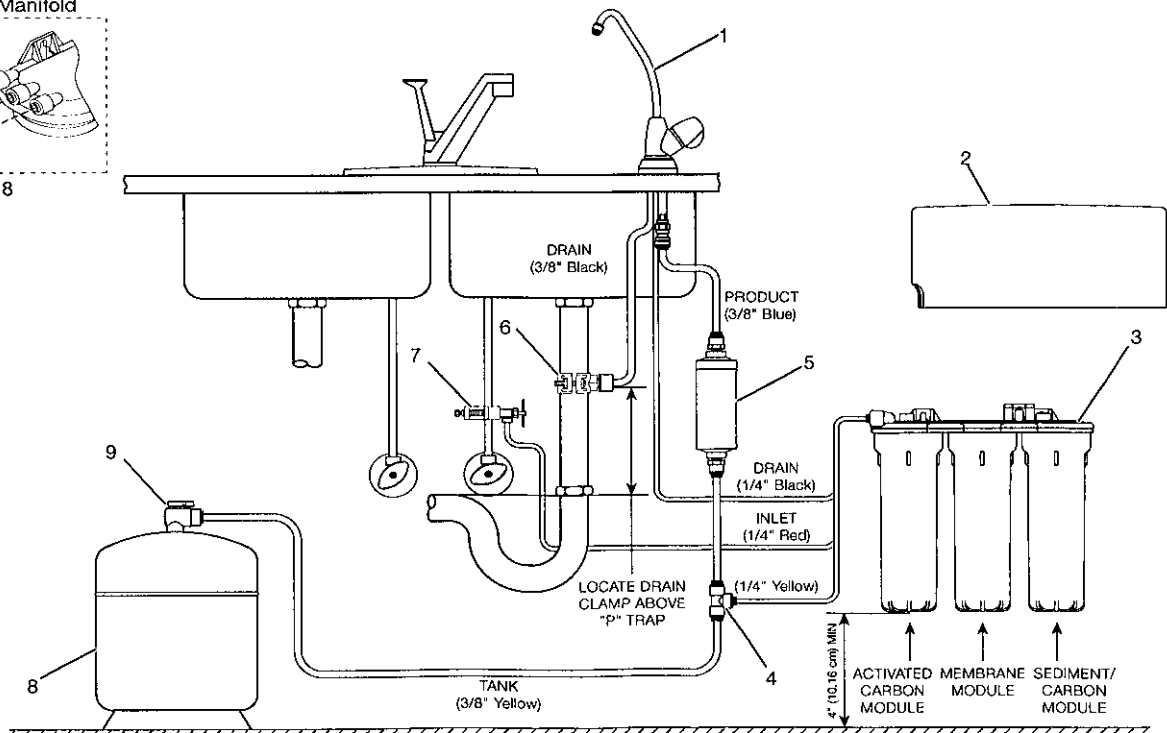
AUTOMATIC SHUT-OFF VALVE

The Automatic Shut-Off (ASO) Valve closes the Feed Water supply when Holding Tank is full and unit is not producing water. This avoid excess Reject Water from entering into the drain.

Close-up of Manifold



See Page 8



NOTE: DISPENSING FAUCET, DRAIN CLAMP AND FEED WATER VALVE ARE NOT PART OF THIS CERTIFIED SYSTEM

- | | |
|-----------------------------------|---|
| 1. Dispensing Faucet with Air Gap | 5. In-line Activated Carbon Post Filter |
| 2. Cover | 6. Drain Clamp |
| 3. Manifold | 7. Feed Water Valve (cold water line only) |
| 4. Polytube Tee | 8. Drinking Water Holding Tank |
| | 9. Holding Tank Shutoff Valve (Open Position) |

Figure 1: Typical M-550 under sink Installation Diagram

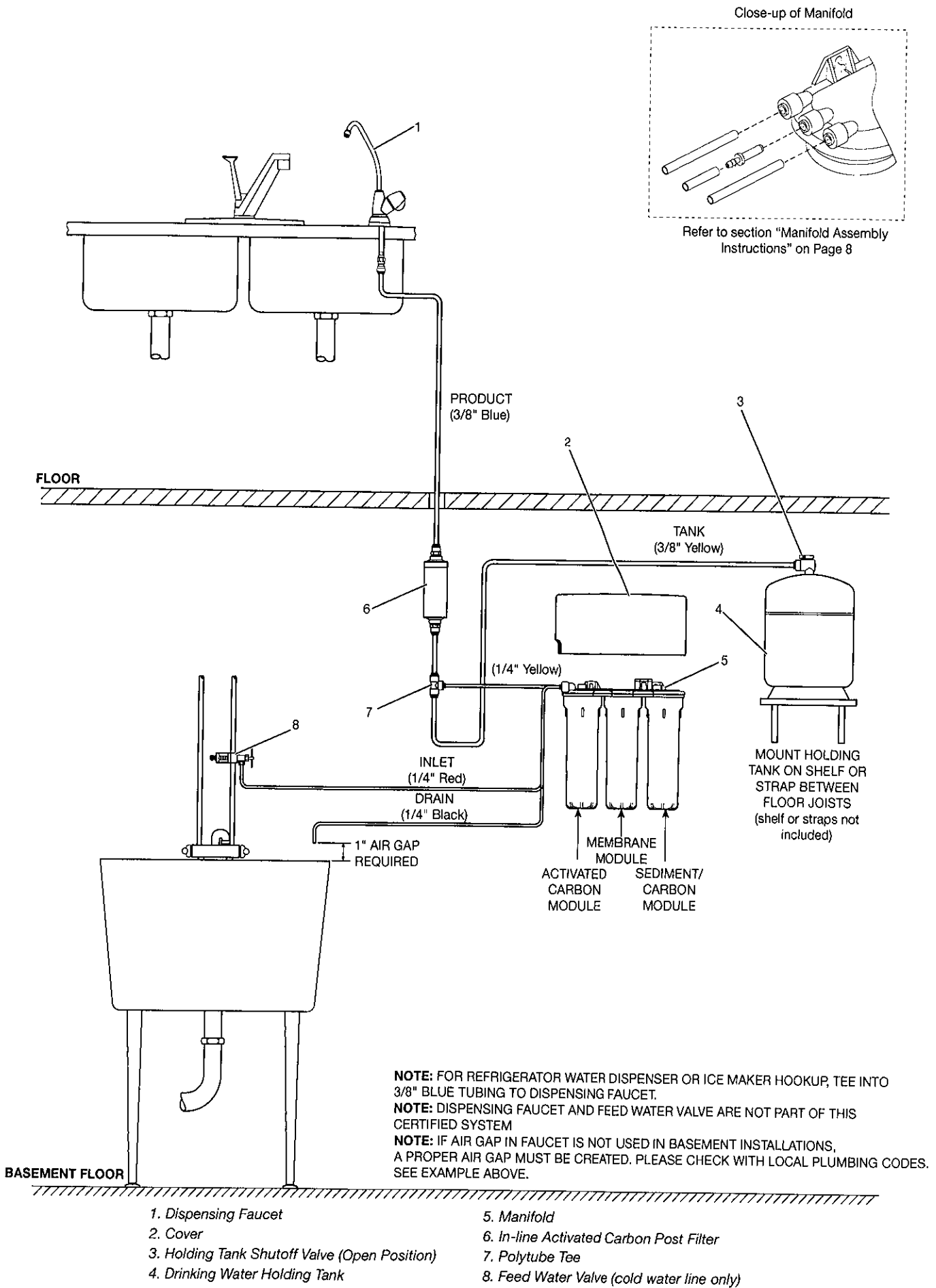


Figure 2: Optional M-550 Basement Installation Diagram

SYSTEM SPECIFICATIONS

QUALIFIED SYSTEM PERFORMANCE

For good performance of a Membrane consider the pressure, temperature, pH and TDS. The below Table 1 must be used for comparison purposes only.

Specifications	U.S.	Metric
Membrane Production ¹	41 - 53 gallons/day	155 - 201 (L/day)
Membrane TDS Reduction ¹	96% minimum	96% minimum
System Production ²	12 gallons/day	45 (L/day)
Recovery Rating ²	30%	30%
Efficiency Rating ²	14%	14%
TDS Reduction ²	90%+ typical	90%+ typical
Drain (reject water) Flow	3-5 x product flow	3-5 x product flow
Empty Storage Tank Pre-charge	5 - 7 PSIG air	35 - 48 kPa air
Storage Tank Capacity ²	1.7 gallons	6.4 L

Table 1: Qualified System Performance

¹Industry standards measure membrane performance with no back pressure on the product water, at 65 PSIG (448 kPa) and 77 °F (25 °C). Further conditions on the above are 250 ppm TDS. Production rate and TDS reduction figures are for a new Membrane that has been rinsed for 24 hours. The production rate of a new Membrane can decrease by 10% per year or more if the scaling and fouling tendencies of the Feed Water increase.

²Measured at 50 PSIG (345 kPa), 77 °F ± 2 °F, 750±40 mg/l TDS per section 6 of NSF/ANSI Standard 58. Recovery rating means the percentage of the influent water to the membrane portion of the system that is available to the user as reverse osmosis treated water when the system is operated without a storage tank or when the storage tank is bypassed. Efficiency rating means the percentage of the influent water to the system that is available to the user as reverse osmosis treated water under operating conditions that approximate typical daily usage. This reverse osmosis system contains a replaceable component critical to the efficiency of the system. Replacement of the membrane should be with one of identical specifications, as defined by the manufacturer, to assure the same efficiency and contaminant reduction performance.

RECOMMENDED OPERATING LIMITS FOR FEED WATER

Do not use with water that is microbiologically unsafe or of unknown quality without adequate disinfection before or after the system. Systems certified for cyst reduction may be used on disinfected waters that may contain filterable cysts.

Specifications	T.F.C. Membrane
Water Pressure	40 - 100 PSIG (280 - 690 kPa)
TDS	2000 ppm (also mg/l) max.
Temperature	40-100 °F (4-38 °C)
pH	4-11 (optimum rejection at pH 7.0 - 7.5)
Hardness	Less than 10 gpg (170 mg/l) or soften
Iron	Less than 0.1 ppm (also mg/l)
Manganese	Less than 0.05 ppm (also mg/l)
Hydrogen Sulfide	None
Chlorine	See note
Bacteria	Must be potable**

Table 2: Recommended Operating Limits

NOTE: Chlorine will damage a T.F.C. Membrane. The Sediment/Carbon module is designed to reduce chlorine from the Feed Water. Make sure to change the filter every 6 - 12 months or more often if the water contains more than 1 PPM chlorine.

SYSTEM LAYOUT

MAJOR SYSTEM COMPONENTS

These components comprise the Drinking Water System:
(Refer to Figure 1 for general system layout)

- Manifold assembly
- Housings and Housing O-rings
- Drinking Water Holding Tank
- Dispensing Faucet*
- Feed Water Valve*
- Drain Clamp*
- Plastic Tubing and tube connectors
- Membrane sealed in a plastic bag
- Sediment/Carbon Module, shrink wrapped
- Activated Carbon Module, shrink wrapped
- In-Line Activated Carbon Post Filter, shrink wrapped
- System Cover
- Water Quality Test Kit

Other items which are necessary for installation can include:

- Wood screws or machine screws,
- Nuts for mounting the manifold,
- Concrete anchors for hanging on basement wall,
- Additional tubing or tube connectors,
- Plastic wire ties for organizing tubing.

* Not part of this certified system.

Tools Recommended for Installation

Gather the required tools as mentioned below before starting installation. Read and follow the instructions provided with any tools listed here:

- 3/8" variable speed electric drill
- Extension work light with outlet
- Safety glasses (See section "Drinking Water System Safety" on page 3)
- Porcelain hole cutter kit
- Greenlee hole punch and 1/8" (2.5 cm) and 1/2" (1.3 cm) metal drill bits for pilot hole.
- Center punch and hammer
- 1 1/4" wood bit
- Concrete drill bits
- Assorted wood and metal drill bits including 7/32" metal drill bit.
- Phillips head and flat blade screwdrivers
- 1/2" (1.3 cm), 9/16" (1.4 cm) and 5/8" (1.6 cm) open end wrenches
- Teflon[†] tape
- Wide masking tape or duct tape
- Plastic tubing cutter
- Extra plastic tubing
- Low range air pressure gauge
- Bicycle hand air pump
- Small bottle of liquid Chlorine bleach
- Graduated measuring cylinder
- Paper towels, whisk broom and assorted clean up materials.

[†]TEFLON is a registered trademark of Chemours

Site Selection for Major System Components

IMPORTANT:

- Install tubing only in areas where temperatures will remain above freezing.
- Connect to a portable water supply only.

The system was designed to fit under a sink, however because of space limitations or other reasons, the system's flexible design allows for other locations. While determining the location, the access to a cold water tap line, the household drain, and ease of filter replacement are important considerations.

If winter temperatures are severe, the area should be above the minimum temperature listed in Table 2 for proper performance. Do not expose unit or tubing to direct sunlight.

1. **Dispensing Faucet:** The faucet should be placed near the sink where drinking water is normally obtained. Convenience of use (filling of water pitchers and glasses), and an open area beneath the faucet under the sink for attaching tubing are considerations.
2. **Drinking Water Holding Tank:** Place the Holding Tank where it is convenient within 10 feet of the faucet, under the sink or in an adjacent cabinet are the best choices. If a longer run of tubing is required, the tubing must be the 3/8" (1 cm) outside diameter (OD) size, to prevent the high pressure drop. Remember that these tanks can weigh up to 30 pounds when full of water. A firm, level area is required.
3. **Manifold Assembly:** The manifold can be installed on either the right or left side of the under sink area or a cabinet. The right side is recommended because all the tubing will be to the back of the cabinet and out of the way. Installation in the basement is also an option, one location is near the laundry/utility sink where cold potable water and drain access is handy. The mounting location should allow adequate clearance and accessibility for cartridge changes.
4. **Feed Water Connection:** The Feed Water valve must be located close to the manifold assembly as much as possible. Softened water is preferred as it will extend the life of the Membrane.
5. **Drain Connection:** The Reject Water must go to drain through an anti-siphon air gap. The air gap can be provided in the base of some faucets. If discharging into a utility sink or standpipe, an air gap of greater than 1" (2.54 cm) above the flood rim must be provided. Do not connect the system drain line to the dishwasher drain or near the garbage disposal. Back pressure from these units can cause overflow to air gap.

INSTALLATION INSTRUCTIONS

IMPORTANT:

- Plumbing shall be installed in accordance with the International Plumbing Code and any local codes and ordinances.
- Connect to a portable water supply only.
- Some codes can require installation by a licensed plumber; check with the local plumbing authority prior to installation.

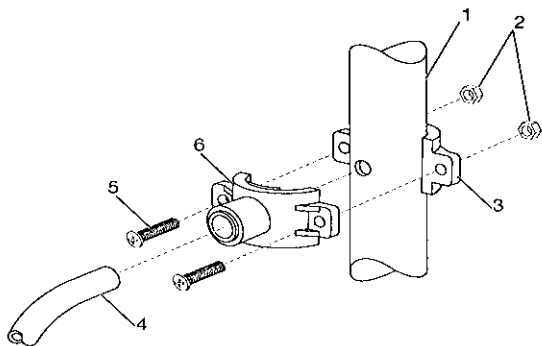
In restricted under-sink areas, it is easier to install the faucet first. Allow adequate tubing lengths for any final component position.

- **Faucet Installation:** This certified system does not include a faucet. Select a faucet that has a 3/8" (1 cm) tubing connection and install as per faucet manufacturer's instructions.
Connect 3/8" (1 cm) blue tubing to faucet treated water port and if using air gap faucet connect 1/4" (0.6 cm) and 3/8" (1 cm) black tubing. In order to maintain integrity of this NSF/ANSI Standards 58 listed Drinking Water System, faucet shall meet NSF/ANSI Standards 61/372, material and structural integrity requirements of NSF/ANSI Standards 42 or 58, and have an air gap with connections complying to local plumbing codes. Consult factory for approved faucets.

- **Feed Water Valve Installation:** In order to maintain integrity of this NSF/ANSI Standard 58 listed Drinking Water System, the feed water valve hardware connecting the 1/4" (0.6 cm) red tubing to the plumbing system shall meet NSF/ANSI Standards 51 and 61/372. Consult factory for approved hardware.
Decide on location. Do not connect to a hot water feed line. If you are not sure of the supply, run the hot water and feel the supply piping. Water over 100 °F (37.8 °C) can cause permanent damage to the Membrane.

1. Shut off the water supply and drain the line.
2. Hardware to connect the 1/4" (0.6 cm) red tubing to the plumbing system is not part of this certified system. Install hardware in accordance with plumbing codes that will allow connection of 1/4" (0.6 cm) red tubing.

Drain Clamp Installation: Choose the drain outlet location as per the section "Site Selection for the Major System Components". Refer to the below instructions for discharging into the sink drain pipe. (Refer to Figure 1.):



- | | |
|----------------------------|----------------------------|
| 1. Drain Pipe | 4. Black Drain Tubing |
| 2. 1/4" (0.6 cm) Nut | 5. 1/4" (0.6 cm) Screw |
| 3. Drain Clamp Black Plate | 6. Drain Clamp Front Plate |

Figure 3: 3/8" (1 cm) Drain Clamp Assembly

1. Position the Drain Clamp on the sink drain pipe above the drain trap. Allow room for drilling. Tighten securely.
2. Use the Clamp port as a drill guide, drill a 7/32" hole through the wall of the drain pipe. Do not penetrate the opposite side of the pipe.
3. Locate the 3/8" (1 cm) Black Drain Tubing connected to the Dispensing Faucet. Route tubing to the Drain Clamp and trim to length.

NOTE: Cut the Polytube clean and square. Failing to do so can cause poor connections and possible leaks.

IMPORTANT: The lowest point of the line must be the point of connection to the Drain Clamp. Make sure that there is no sag in the line as this can cause excessive noise when reject water is flowing to drain.

* Refer to Figure 3: Insert the tubing into the Drain Clamp. Make sure that the tubing is inserted correctly and tightly to create a pressure-tight connection.

NOTE: If you want to pull the tubing out for some reason then push the ring around the tubing in and pull the tubing out.

- **Manifold Assembly Instructions:** Locate the site as per the section "Site Selection for the Major System Components". Various installation sites will require different types of mounting fasteners; make sure that the selected fastener provides a tight, solid mounting. A support panel can be necessary on thin cabinet walls or to span between wall studs on particle board or drywall.

Do not drill through exterior cabinet walls or leave sharp wood screw points exposed in readily accessible cabinet interiors. The close proximity of a dishwasher or a trash compactor may require special fabrication of a mounting plate.

1. The mounting bracket will accept either #10 or #12 mounting screws spaced on 6" (15 cm) centers. Allow at least 4" (10 cm) of clearance beneath the filter housings to accommodate filter changes. Mark the two locations (the bracket can be used as a template). Install the screws and tighten them until the heads are about 5/8" (1.5 cm) from the wall.

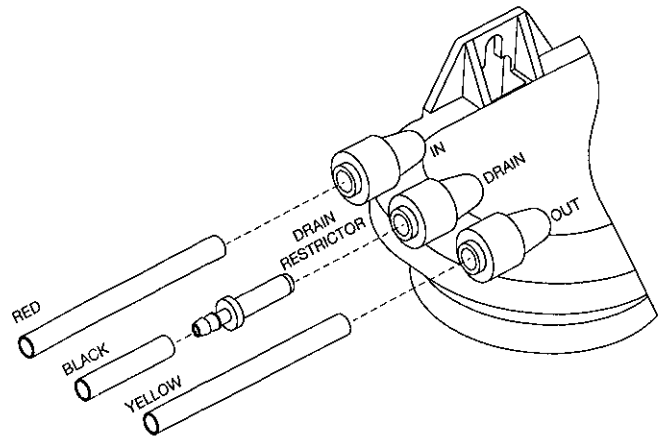


Figure 4: Feed Water Tubing

2. Locate the 1/4" (0.6 cm) Red Feed Water Tubing as shown in Figure 4. Remove the red plug from the fitting labeled "In" on the manifold and insert the tubing. Reference the special supplement sheet in the carton for proper connection of all tubing and removal of plugs. Run the tubing along its course to the Feed Water connection, trim to length.

3. Locate the 1/4" (0.6 cm) Black Drain Tubing connected to the Dispensing Faucet as shown in Figure 1. The end of the Black Drain Tubing that must be inserted into the "Drain" port on the manifold will have a "Drain Restrictor" in it. Remove the black plug from the fitting labeled "Drain" on the manifold and insert the tubing. Allow the tubing to relax, then press firmly again to insure proper seating.
4. Locate the 1/4" (0.6 cm) yellow tubing with the tee attached to one end as shown in Figure 4. Remove the yellow plug from the fitting labeled "Out" on the manifold and insert the tubing.
5. Locate the 3/8" (1 cm) Blue Product Water Tubing connected to the Dispensing Faucet. Firmly press one end into the tee. (Refer to Figure 1.) The fittings will grab the tubing and seal it in place. Make sure that the tubing is pressed all the way in to create a pressure tight connection.

NOTE: If you want to pull the tubing out for some reason, push the ring around the tubing in and pull the tubing out.

6. Hang the Manifold Assembly on the mounting screws and tighten. Do not over tighten.
7. Remove the wrapping from the In-Line Activated Carbon Post Filter. Slice 3/8" (1 cm) Blue Polytube where it would be convenient to install and change the In-Line Filter. Make a clean straight cut to insure proper connections. The "Out" port on the In-Line Filter should be toward the faucet. Firmly press in the tubing. The fitting will grab the tubing and seal it in place. Make sure that the tubing is pressed all the way in to create a pressure tight connection.

■ **Position the Drinking Water Holding Tank and Make the Final Hose Connections:**

1. Check the tank precharge pressure. Make sure that it is between 5 - 7 PSIG (34 - 48 kPa). If not, use a bicycle hand pump or other pump to bring the pressure up to the 5 - 7 PSIG (34 - 48 kPa) range.
2. Pull the cap/plug off the top of the tank where the Tank Shut-Off should go. (Refer to Figure 1)
3. Wrap Teflon¹ tape three times around the 1/4" (0.6 cm) male outlet thread. Wrap in the direction of the threads (clockwise when looking down on the Holding Tank). The Teflon¹ tape will act as a thread sealant. Screw on the Holding Tank Shut-Off Valve.
4. Locate the 3/8" (1 cm) Yellow Tubing. Firmly press one end into the Holding Tank Shut-Off Valve and the other end into the tee. (Refer to Figure 1.) The fittings will grab the tubing and seal it in place. Make sure that the tubing is pressed all the way in to create a pressure tight connection.

■ **Start Up:**

Installing the modules and membrane and sanitizing the holding tank:

1. Open the Dispensing Faucet and close the Holding Tank Shut-Off Valve (the handle should be perpendicular to the valve body).
2. Remove the plug on the underside of the manifold labeled "SEDIMENT/CARBON". Unwrap the Sediment/Carbon Module. Make sure that the module O-ring is pressed firmly in the groove. Engage and firmly tighten the module by hand only.
3. Remove the plug labeled "MEMBRANE" from the underside of the manifold. Trim the top of membrane bag, exposing the white plastic seal. While holding onto bag, insert membrane into manifold. (The O-rings must be up towards the manifold.) Take the remaining housing and insert housing O-ring into its groove. Engage and firmly tighten housing by hand only.

4. Remove the plug labeled "ACTIVATED CARBON" from the underside of the manifold. Unwrap Activated Carbon Module. Make sure that the module O-ring is firmly pressed in groove. Engage and firmly tighten the module by hand only.
5. Close the Holding Tank Valve.
6. Disconnect the yellow product water tubing that runs from the Holding Tank to the Elbow on top of the Manifold (see Fig. 1, page 3). Put 50 drops of bleach [this is equal to 1/2 tsp. or 3 ml (0.003 L)] into the tubing and reconnect the Elbow.

Rinsing the system:

1. Slowly open the Feed Water Valve fully counter clockwise.
2. Open the Holding Tank Valve.
3. Check the Air Gap Window on the Dispensing Faucet to make sure that the drain water is flowing. The system is now making water.
4. Do not open the Faucet for at least 8 hours.
5. Do not use the first three full tanks of water.

IMPORTANT: The Membrane is shipped with a preservative in it. To ensure proper rinsing of the Membrane it is important to wait at least 8 hours before emptying each tank. When the Faucet is first opened, expect air and carbon fines (very fine black powder) from the Activated Carbon Module to be rinsed out. This is normal for the first tank of water or after the Activated Carbon Module is changed.

OPERATION AND MAINTENANCE

Normal Operation

1. It is normal for the Total Dissolved Solids (TDS) of the water to be higher than normal during the first 5 gallons (19 L) of operation; this is due to the sanitizing solution and the new Post Filters. After this water is rinsed to drain, the removal rate should stabilize at a value of greater than 75%. Water pressure affects the production rate and quality.
2. Systems produce drinking water at relatively slow rates; it can take up to 5 hours or more to fill the Holding Tank. Normal operation is to let the Holding Tank fill with water and then draw water as needed. When the pressure in the Holding Tank falls to a given pressure (as the water is being used) the ASO Valve will start water production and the system will refill the Holding Tank. When the Holding Tank is full and no water is being used, the ASO Valve will automatically shut off the feed water to conserve water. The more water that is used (up to the capacity of the system) the better the system will function. Other uses for the water are flowers, pets and rinsing glassware.
With each use it is recommended that you run the faucet for at least 10 seconds prior to using water. This is especially important if the system has not been used daily. After periods of non-use, such as a week of vacation, it is better to empty the Holding Tank and allow the system to produce fresh water for use. If the system is not used for 3 - 4 weeks or longer, it is a good idea to re-sanitize the system and to change the pre-filter and post filters.

¹TEFLON is a registered trademark of Chemours

Problem	Possible Cause	Solution
High Total Dissolved Solids (TDS) in the Product Water (continued).	The Product Water and Drain Water lines are reversed.	Correct plumbing.
	No drain flow, Drain Restrictor is clogged.	Clear or replace Drain Restrictor.
	No drain flow, the drain orifice in the Dispensing Faucet is plugged.	Clear or replace Dispensing Faucet.
	The ASO Valve is not closing.	Repair or replace the ASO Valve Components.
	New In-Line Post Filter or Activated Carbon Module not rinsed completely.	Flush with several full tanks of Product Water.
	The Feed Water TDS has increased.	An increase in Feed Water TDS will give a corresponding increase in Product Water TDS.
Tastes and odors in the Product Water	The In-Line Post Filter or Activated Carbon Module is exhausted.	Replace Filters.
	There is foreign matter in the Holding Tank.	Clean, flush and sanitize the system. Replace the filters.
	The Product Water and Drain Water lines are reversed.	Correct plumbing.
	Dissolved gases in the Feed Water.	Pre-treat Feed Water to remove dissolved gases.
	Increase in Product Water TDS.	See high TDS in the Product Water section.
Drain Water overflows at the Dispensing Faucet	Air Gap is blocked.	Clear air gap.
		Rinse with vinegar for removal of calcium buildup.
	Drain tubing is clogged.	Clear tubing.
	Drain Clamp hole is misaligned.	Align with hole in the drain pipe.
	Excessive drain flow rate.	Replace Drain Restrictor.
Faucet leaks or drips	Leaks from base of the delivery tube.	O-ring is bad, replace O-ring.
Fitting leaks in general	Close the Feed Water Valve and relieve pressure before disconnecting any tubing or replacing any fitting. Before replacing a fitting, re-cut the tubing and re-insert into the fitting to see if that solves the leak. If pipe threads are leaking, remove and re-tape with Teflon tape.	

MAYTAG™ DRINKING WATER SYSTEM MODEL M-550



WHAT'S INSIDE MATTERS™

LIFETIME LIMITED WARRANTY

The LeverEdge (hereinafter LE) warrants any MAYTAG™ brand water treatment system manufactured by LE and installed by a duly authorized Maytag dealer, to be free from defects in materials and workmanship to the original residential purchaser (hereinafter CONSUMER) from the date of purchase. All aspects of this warranty are subject to the following limitations, terms and conditions.

1. DURATION OF WARRANTY

If LE Equipment consisting of the Mineral and Storage Tanks, Controls and Valves, Pumps and Switches, Ion Exchange Resin and Treatment Media, Drinking Water Systems (excluding replacement exchange modules or inline filters) and Ultraviolet Lights (excluding bulbs and sleeves) is determined to have failed as a result of a manufacturing defect, LE will, at its sole discretion, repair or replace the defective part at NO CHARGE to the CONSUMER (excluding labor, and applicable shipping and handling costs) for the duration of the Consumer's ownership of the original equipment (hereinafter "LIFETIME").

2. LIMITATIONS OF COVERAGE

This warranty extends only to the CONSUMER for damage resulting from defects in materials and workmanship, and does not include renewable components. It does not extend to damage caused by the CONSUMER'S neglect or abuse, or by accident, to damage caused by wind, hail or abnormal weather conditions, or to damage caused by acts of God, civil insurrection or extraordinary circumstances beyond the control of LE.

LE shall not be liable for any direct or indirect damage resulting from the use of the Equipment, and in no event shall the extent of this Warranty coverage exceed the purchase price of the Equipment.

LE cannot know the characteristics of a CONSUMER'S water supply or the purpose for which one is purchasing MAYTAG™ Equipment. Also, water qualities vary seasonally and over time. Therefore, LE assumes no liability for the determination of the proper equipment necessary to meet a CONSUMER'S requirements, nor does it authorize others to assume such obligations on its behalf.

This warranty excludes any Equipment which was not manufactured by LE and installed by an authorized Maytag dealer or on which the date code has been removed or altered. Any tampering or attempted repair performed by anyone other than an authorized dealer, including the CONSUMER, voids this Warranty.

3. MISCELLANEOUS

In order to be considered for validation, all claims for Warranty coverage must be accompanied by a copy of the purchase agreement indicating the date of initial installation, and a copy of the CONSUMER'S current utility bill. LE reserves the right to inspect the MAYTAG™ Equipment prior to honoring any warranty claim.

This warranty is only issued by LE, and the CONSUMER is hereby advised that Maytag is not the manufacturer of the equipment, and provides no additional or separate warranty whatsoever in connection with the equipment.

This warranty gives you specific legal rights, and you may have other rights which may vary from state to state. Any and all inquiries or claims under this Warranty must be submitted in writing to The LeverEdge, Attn: Warranty Department, 1423 Gunn Highway, Odessa, FL 33556.

THE LEVEREDGE
1423 Gunn Highway
Odessa, FL 33556
Phone: (866) 910-8351
www.theleveredge.com

®/™ ©2019 MAYTAG. All rights reserved. Manufactured under license by LeverEdge.

Limited warranty provided by the manufacturer.

Printed in the U.S.A. 01/19.

1423 Gunn Highway Odessa, FL 33556

Phone: (866) 910-8351 | maytagwater.com